



Brickman 300

Benefits

- User-friendly
- Minimal labour costs
- Creates a good working environment – reduces attritional injuries
- Creates good order
- Unique compacting ability – frees up space
- Low transport costs
- Easy to automate the supply and feeding out of materials
- Briquettes can be recycled or burned as fuel

Properties

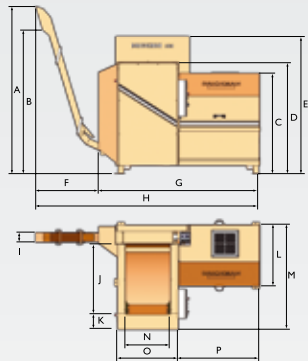
- Safe and easy to use
- Any employee can operate the machine
- Can be supplied with material during operation
- Easy to automate
- No binding of compacted material
- Low height and requires little floor space



Technical specifications

Dimensions: Brickman 300

- A: 2270 mm B: 1950 mm
- C: 1360 mm D: 1500 mm
- E: 1880 mm F: 850 mm
- G: 2190 mm H: 3040 mm
- I: 140 mm J: 950 mm
- K: 210 mm L: 840 mm
- M: 1440 mm N: 600 mm
- O: 825 mm P: 1100 mm



Weight

Machine weight: 1,600 kg

Compaction

Press force: 25 tons, 250 kN
Pressure: 500 kg/cm²

Briquettes

Size: 80x80x100-300 mm
Density: up to 600 kg/m³

Filling volume

Hopper: 0.75 m³

Electricity

Voltage: 400 V 3-phase, 50 Hz
Fuse: 25 A (slow)
Motor: 7.5 kW
Operating voltage: 24 V
Protection class: IP 55
Plug CEE: 32 A (IP44) 5-pin
Control: PLC

Hydraulics

Hydraulic pump: Double vane pump
Operating pressure: max. 200 bar
Hydraulic oil: Statoil HVXA 32
Volume of oil: 160 litres
Oil heating: <+5°C

Colour: RAL 2001 (orange)
Noise level: 68 dB (A)

For simple and flexible waste management

The Brickman 300 has been developed to make the task of compacting waste products as simple as possible. The only thing you need to do is place the material in the feeder compartment and then press the start button. Brickman does the rest!

Easy to position and automate

The Brickman 300's size and low noise level mean that it can be used indoors, where the waste products are actually produced. Savings are possible because you do not have to transport large quantities of uncompacted waste products around indoors. The supply of waste products and collection of briquettes can be handled in numerous different ways depending on the customer's preferences, providing fully-automatic solutions for the customer.

Unique compacting ability

With the Brickman 300 in your workplace, processing times are reduced considerably. Furthermore, the Brickman 300 has a unique compacting ability that ensures a volume reduction of up to 20:1. This means that transport costs to the recycling station/combustion point are reduced to a minimum.



Our promise to You!

- Orwak financial solutions
- Orwak non-stop service

For further information please contact Your local Orwak dealer.

The Brickman 300 can deal with the majority of waste produced

- | | | |
|----------------------------------------------------------------------------------------------------------------------------------------------------------------------------------------------------------------------------------------------------------------------------------------------------------------------------------------------------------------------|-------------------------------------------------------------------------------------------------------------------------------------------------------------------------------------------------------------------------------------------------------------------------------------------------------------------------------------------------------------------------------|--------------------------------------------------------------------------------------------------------------------------------------------------------------------------------------------------------------------------------------------------------------------------------------------------------------------------------------------|
| <p>Paper</p> <ul style="list-style-type: none"> ● Cardboard ● Shredded paper ● Paper sacks <p>Metal cans</p> <ul style="list-style-type: none"> ● Aluminium cans ● Tin cans ● Paint cans <p>Other metals</p> <ul style="list-style-type: none"> ● Steel straps | <p>Non-rigid plastic</p> <ul style="list-style-type: none"> ● Shrink/stretch film ● Plastic bags/sacks <p>Rigid plastic packaging</p> <ul style="list-style-type: none"> ● PET bottles ● Drums/bottles <p>Other plastic packaging</p> <ul style="list-style-type: none"> ● Plastic straps | <p>Combustible waste</p> <ul style="list-style-type: none"> ● Household waste, commercial waste <p>Wet</p> <ul style="list-style-type: none"> ● Juice and Tetrapak containers <p>Special</p> <ul style="list-style-type: none"> ● Steel drums ● Hazardous waste |
|----------------------------------------------------------------------------------------------------------------------------------------------------------------------------------------------------------------------------------------------------------------------------------------------------------------------------------------------------------------------|-------------------------------------------------------------------------------------------------------------------------------------------------------------------------------------------------------------------------------------------------------------------------------------------------------------------------------------------------------------------------------|--------------------------------------------------------------------------------------------------------------------------------------------------------------------------------------------------------------------------------------------------------------------------------------------------------------------------------------------|

- Perfect choice ● OK ● Other materials contact us

*For more info. contact us or visit our website www.orwak.com
We reserve the right to make changes to specifications without prior notice.
Bale/bag/bin weights are dependent upon material type.*

AB Orwak

Box 58, SE-576 22 Sävsjö, Sweden
Tel: +46 382-157 00, Fax: +46 382-106 07
E-mail: info@orwak.se

ORWAK
Making sure less is more

www.orwak.com